

# WHEEL LOADER



## Specifications

Operating weight	4900 kg
Engine power	44 kW (60 HP)
Bucket capacity	0.8-1.2 m <sup>3</sup>
Tipping load, straight	3720 kg
Tipping load, articulated	3280 kg

## Features

- ▶ Transverse-mounted diesel engine, high performance, minimized fuel consumption, low emissions
- ▶ Hydrostatic travel drive, high traction power, infinitely variable speed control by driving automatics, optimum driving performance in all ground conditions, wear-free braking
- ▶ Powerful hydraulics, high lifting and ripping forces
- ▶ Excellent parallel kinematics for synchronized parallel operation of bucket and forklift attachment over the entire lifting height
- ▶ Ease of operation, hydraulic pilot control, multi-function joystick for intuitive control
- ▶ Wide range of proven working tools
- ▶ Convincing serviceability, long maintenance intervals

**WORKS FOR YOU.™**

# SPECIFICATIONS

## ENGINE

Manufacturer, model	Deutz, D 2011 L04 W
Type	4-cylinder diesel engine, EC phase III A, EPA Interim Tier 4
Combustion	4-stroke cycle, direct fuel injection
Displacement	3620 cm <sup>3</sup>
Net power rating at 2200 rpm (ISO 9249)	44 kW (60 hp)
Cooling system	Water

## ELECTRICAL SYSTEM

Nominal voltage	12 V
-----------------	------

Lighting system in compliance with German and European standards

## POWER TRANSMISSION

Hydrostatic drive, closed circuit, independent from loader hydraulics. Perfected driving automatics, automatic adjustment of drawbar pull and speed. Hydraulic motor power shift providing two speed ranges. Infinitely variable speed control forward and reverse. 4-wheel drive from reduction gear on rear axle via cardan shaft to front axle. Brake inching pedal.

2 speed ranges:

"Low"	0-7 kph
"High"	0-20 kph

4 speed ranges (high-speed version optional):

"Low"	0-7 / 0-18 kph
"High"	0-14 / 0-36 kph

## AXLES

Front: Rigid planetary final drive axle, center-mounted disc brake. Limited slip-type differential 45%.

Rear: Oscillating (with cushioning) planetary final drive axle, with integrated reduction gear. Limited slip-type differential 45%.

Angle of oscillation	±10°
----------------------	------

## TIRES

Standard	405/70 R 18 SPT 9 Dunlop
----------	--------------------------

## BRAKES

Service brake:	Hydraulically actuated center-mounted disc brake, acting on all 4 wheels via 4-wheel drive.
Auxiliary brake:	Hydrostatic drive provides dynamic braking.
Parking brake:	Mechanically actuated center-mounted disc brake on front axle.

## STEERING

Articulated, 1 steering cylinder with final positioning damping on both sides, fully hydraulic through Load-Sensing priority valve, quick and easy steering even at engine idle-running speed.

Total steering angle	80°
----------------------	-----

## FLUID CAPACITIES

Fuel tank	75 l
Hydraulic system (incl. tank 60 l)	55 l

## OPERATING DATA, STANDARD EQUIPMENT

Operating weight (ISO 6016)	4900 kg
Tipping load, straight at full reach (ISO 14397-1)	3720 kg
Tipping load, articulated at full reach (ISO 14397-1)	3280 kg
Total length, bucket on ground	5060 mm
Total width	1850 mm
Turning radius at outside bucket edge	4160 mm
Wheelbase	2100 mm
Total height (top of cab)	2640 mm



## HYDRAULIC SYSTEM

Pump capacity	64 l/min
Working pressure	250 bar

Control unit: Proportional hydraulic valve with 3 control circuits and high-speed control for tilting. Simultaneous, independent control of all movements. Single, four-way control lever (multi-function lever) for tilt and lift cylinder with integrated travel direction selector switch and switch for additional control circuit. Float position in control circuit "Lowering", electro-hydraulically operated. Additional control circuit including quick couplers and continuous operation function provided as standard.

## LOADER FRAME

Loader installation featuring true parallel linkage and integrated mechanical (optionally hydraulic) quick-attach system.

General-purpose bucket (ISO 7546)	0.80 m <sup>3</sup>
Lift capacity at ground level (ISO 14397-2)	48,000 N
Breakout force at bucket edge (ISO 14397-2)	45,900 N

## FORK LIFT ATTACHMENT

Payload over the total lift and steering range	2050 (2250*) kg
Payload in transport position, approx. 300 mm above ground level, total steering range	2500* kg
Width of fork carrier	1240 mm
Length pallet forks (100x45 mm)	1100 mm
Stability factor	1.25

Payload determined on level ground = 80 % of tipping load, articulated

## CAB

Rubber-mounted full-vision steel cab, ROPS (EN ISO 3471) and FOPS\*\* (EN ISO 3449) certified.

Cab featuring two doors, electric windshield intermittent wipers and washer (front and rear), tinted panoramic safety glass, sliding window on left-hand side.

Driver's seat MSG85 (standard version) with hydraulic cushioning and lap belt, weight-adjustable, in compliance with ISO 7096 and ISO 6683.

Air conditioning and radio pre-installation.

Steering wheel with height and tilt adjustment.

2 working floodlights, front.

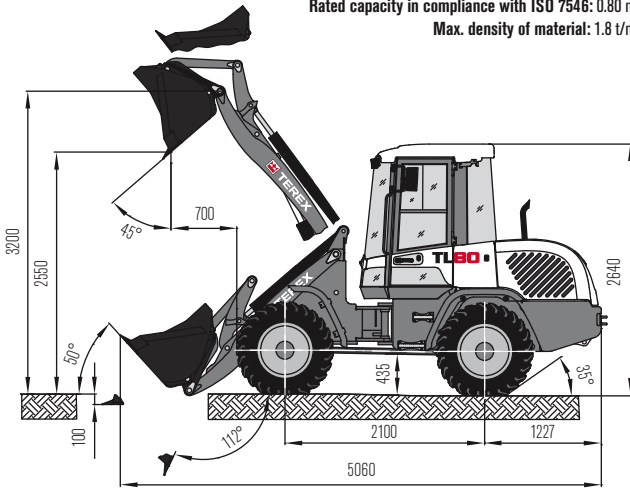
Sound level values in compliance with EC-directives.

\*With rear axle weights

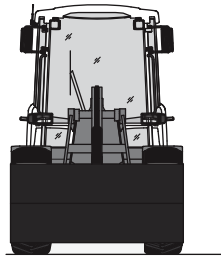
\*\*FOPS-approved only with skylight guard (optional)

## DIMENSIONS GENERAL-PURPOSE BUCKET

Rated capacity in compliance with ISO 7546: 0.80 m<sup>3</sup>  
Max. density of material: 1.8 t/m<sup>3</sup>

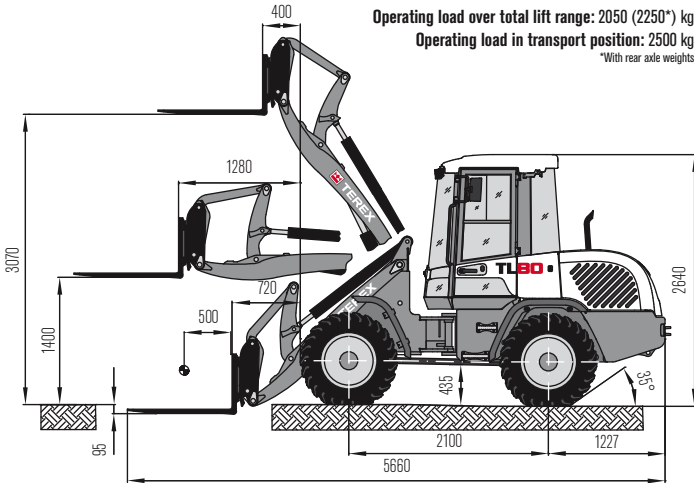


### FRONT VIEW



### FORK LIFT ATTACHMENT

Operating load over total lift range: 2050 (2250\*) kg  
Operating load in transport position: 2500 kg  
\*With rear axle weights



### BUCKET TYPE

- General-purpose bucket, quick-attach system (QAS), teeth
- General-purpose bucket, QAS, bolt-on cutting edge
- Earth bucket, QAS, teeth
- Earth bucket, QAS, bolt-on cutting edge
- Light-material bucket, bolt-on cutting edge
- Light-material bucket, bolt-on cutting edge
- Multi-purpose bucket, QAS
- Side-dump bucket, QAS, without teeth
- High-tip bucket, QAS, without teeth
- Quarry bucket, QAS

#### Capacity

0.80 m<sup>3</sup>  
0.80 m<sup>3</sup>  
0.90 m<sup>3</sup>  
0.90 m<sup>3</sup>  
1.00 m<sup>3</sup>  
1.20 m<sup>3</sup>  
0.75 m<sup>3</sup>  
0.70 m<sup>3</sup>  
0.70 m<sup>3</sup>  
0.70 m<sup>3</sup>

#### Density

1.8 t/m<sup>3</sup>  
1.8 t/m<sup>3</sup>  
1.6 t/m<sup>3</sup>  
1.6 t/m<sup>3</sup>  
1.2 t/m<sup>3</sup>  
0.8 t/m<sup>3</sup>  
1.6 t/m<sup>3</sup>  
1.8 t/m<sup>3</sup>  
1.2 t/m<sup>3</sup>  
1.8 t/m<sup>3</sup>

#### Width

1850 mm  
1850 mm  
1850 mm  
1850 mm  
1850 mm  
1950 mm  
1850 mm  
1850 mm  
1850 mm  
1850 mm

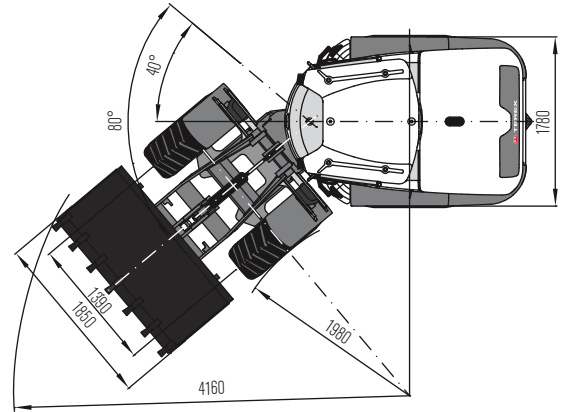
#### Dump height

2550 mm  
2510 mm  
2485 mm  
2445 mm  
2435 mm  
2395 mm  
2525 mm  
2450 mm  
3540 mm  
2530 mm

### EXAMPLES OF MATERIAL DENSITIES

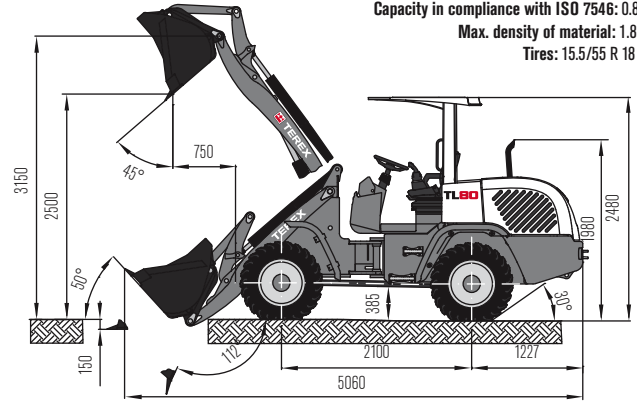
Granite, basalt, sand (damp), gravel (damp), slate: 1.8 - 2.2 t/m<sup>3</sup>  
Sandstone, gypsum, limestone, soil (damp), sand (dry), gravel (dry): 1.5 - 1.8 t/m<sup>3</sup>

Topsoil, clay, mineral coal: 1.1 - 1.6 t/m<sup>3</sup>  
Wood chips (dry), compost, coke: 0.2 - 1.0 t/m<sup>3</sup>



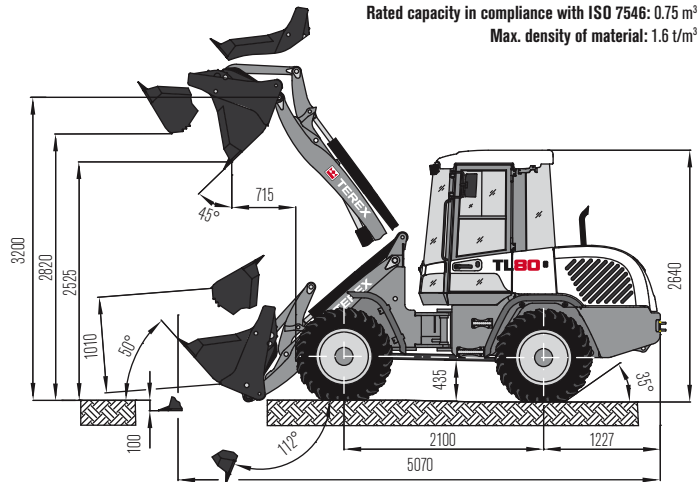
### CANOPY

Capacity in compliance with ISO 7546: 0.80 m<sup>3</sup>  
Max. density of material: 1.8 t/m<sup>3</sup>  
Tires: 15.5/55 R 18 MPT



### MULTI-PURPOSE BUCKET

Rated capacity in compliance with ISO 7546: 0.75 m<sup>3</sup>  
Max. density of material: 1.6 t/m<sup>3</sup>



## OPTIONAL EQUIPMENT

### TIRES

405/70 R 18 EM 01 Mitas
340/80 R 20 XMCL Michelin
335/80 R 20 MPT E-70 Conti
400/70 R 20 IT520 Goodyear
405/70 R 20 PG75RCL Dunlop
500/45-20 J331 Wide base tires
Non-standard tires available on request

### FRONT ATTACHMENTS

General-purpose bucket*	0.80 m <sup>3</sup>
Earth bucket*	0.90 m <sup>3</sup>
Light-material bucket*	1.0 m <sup>3</sup>
Light-material bucket*	1.0 m <sup>3</sup>
Side-dump bucket*	0.70 m <sup>3</sup>
High-tip bucket*	0.70 m <sup>3</sup>
Multi-purpose bucket*	0.75 m <sup>3</sup>
Quarry bucket	0.75 m <sup>3</sup>
Compost bucket	0.70 m <sup>3</sup>
Front ripper with 4 prongs	
Fork lift attachment: Fork carrier, 1240 mm wide	
Forks, 1100 mm long, 100 mm wide, 45 mm high	
Forks, 1100 mm long, 100 mm wide, 45 mm high (foldable)	
Forks, 1500 mm long, 100 mm wide, 45 mm high	
Load hook, attachable on fork arms	
Load hook integrated in quick-attach system	
Crane jib with rigid arm	
Crane jib, telescopic (mechanical)	
Sweeper, snow blade	

\*optionally with bolt-on cutting edge

### DRIVER'S STAND

Air-cushioned operator's seat MSG 95 (premium version) with orthopedic lumbar support, extra-high backrest, adjustable armrests, headrest, seat and backrest heating

### ENGINE

Diesel exhaust cleaner	Catalyst
------------------------	----------

### HYDRAULIC SYSTEM

Open return	4th control circuit, proportional
Hydraulic outlet for front hand-held hammer	4th control circuit, electrical "on-or-off"
"High flow" hydraulics, 114 l/min, 175 bar	

### CAB

FOPS-skylight guard	Pressurized cab
Right-hand door with sliding window	Independent diesel heating with timer
Working floodlight, rear	Air conditioning
Yellow beacon	

### OTHER OPTIONAL EQUIPMENT

High-speed version 36 kph	Anti-theft device (immobilizer)
Filling with biodegradable hydraulic oil, ester-based, BIO-E-HYD-HEES	Special creep versions available on request
Electrical tank refilling pump	Rear axle weights
Pilot-controlled hose-rupture valves for lift and tilt cylinders	Quick couplers (flat face) for 3rd control circuit on lift frame
Back-up alarm for reverse travel	Ride control system
Central lubrication system	Battery disconnecter
Manual throttle, transmission deactivated	Automatic engine shutdown
Further optional equipment available on request	

## [www.terex.com/construction](http://www.terex.com/construction)

Effective Date: February 2011. Product specifications and prices are subject to change without notice or obligation. The photographs and/or drawings in this document are for illustrative purposes only. Refer to the appropriate Operator's Manual for instructions on the proper use of this equipment. Failure to follow the appropriate Operator's Manual when using our equipment or to otherwise act irresponsibly may result in serious injury or death. The only warranty applicable to our equipment is the standard written warranty applicable to the particular product. Terex makes no other warranty, express or implied. Products and services listed may be trademarks, service marks or trade-names of Terex Corporation and/or its subsidiaries in the USA and other countries. All rights are reserved. "Terex" is a registered trademark of Terex Corporation in the USA and many other countries.  
Copyright © 2013 Terex Corporation (R3\_251013)

Ref. no.: TERE567EN

Terex Compact Germany GmbH  
Kraftwerkstrasse 4  
D-74564 Crailsheim  
Tel: +49 (0)7951 / 9357-0      Fax : +49 (0)7951 / 9357-671  
construction@terex.com      www.terex.com



**WORKS FOR YOU.™**