

# WHEEL LOADER



## Specifications

|                           |                         |
|---------------------------|-------------------------|
| Operating weight          | 3900 kg                 |
| Engine power              | 36.4 kW (50 HP)         |
| Bucket capacity           | 0.65-1.0 m <sup>3</sup> |
| Tipping load, straight    | 2750 kg                 |
| Tipping load, articulated | 2475 kg                 |

## Features

- ▶ Excellent all-round visibility
- ▶ Steel cab with perfectly designed operator's stand
- ▶ Easy service accessibility for minimized downtime
- ▶ Ergonomically designed controls for fatigue-free operation
- ▶ Self-locking differentials provide optimum traction
- ▶ Loader frame with proven parallel kinematics
- ▶ Fuel-efficient Deutz diesel engine
- ▶ Hydrostatic drive, independent from loader hydraulics.

**WORKS FOR YOU.™**

# SPECIFICATIONS

## ENGINE

|   |  |
|---|--|
| Manufacturer, model                     | Deutz, D 2011 L04  |
| Type                                    | 4-cylinder diesel engine, EC phase III A, EPA Interim Tier 4 |
| Combustion                              | 4-stroke cycle, direct fuel injection                        |
| Displacement                            | 3100 cm <sup>3</sup>   |
| Net power rating at 2300 rpm (ISO 9249) | 36.4 kW (50 hp)  |
| Cooling system                          | External oil cooling   |

## ELECTRICAL SYSTEM

|  |      |
|--|------|
| Nominal voltage  | 12 V |
| Lighting system in compliance with German and European standards |      |

## POWER TRANSMISSION

Hydrostatic drive, closed circuit, independent from loader hydraulics. Perfected driving automatics, automatic adjustment of drawbar pull and speed. Hydraulic motor power shift providing two speed ranges. Infinitely variable speed control forward and reverse. 4-wheel drive from reduction gear on rear axle via cardan shaft to front axle. Brake inching pedal.

2 speed ranges:

|        |          |
|--------|----------|
| "Low"  | 0-7 kph  |
| "High" | 0-20 kph |

4 speed ranges (high-speed version optional):

|        |                  |
|--------|------------------|
| "Low"  | 0-6.5 / 0-18 kph |
| "High" | 0-14 / 0-36 kph  |

## AXLES

|   |      |
|---|------|
| Front: Planetary drive axle, rigidly mounted. Limited slip-type differential 45%.   |      |
| Rear: Oscillating (with cushioning) planetary final drive axle, with integrated reduction gear. Limited slip-type differential 45%. |      |
| Angle of oscillation  | ±12° |

## TIRES

|          |                          |
|----------|--------------------------|
| Standard | 365/70 R 18 SPT 9 Dunlop |
|----------|--------------------------|

## BRAKES

|                  |   |
|------------------|---|
| Service brake:   | Hydraulically actuated center-mounted drum brake, acting on all 4 wheels via 4-wheel drive. |
| Auxiliary brake: | Hydrostatic drive provides dynamic braking.   |
| Parking brake:   | Mechanically actuated center-mounted drum brake on front axle.                              |

## STEERING

|   |     |
|---|-----|
| Articulated, 1 steering cylinders with final positioning damping on both sides, fully hydraulic through Load-Sensing priority valve, quick and easy steering even at engine idle-running speed. |     |
| Total steering angle  | 80° |

## FLUID CAPACITIES

|                               |      |
|-------------------------------|------|
| Fuel tank                     | 75 l |
| Hydraulic system (incl. tank) | 60 l |

## OPERATING DATA, STANDARD EQUIPMENT

|   |          |
|---|----------|
| Operating weight (ISO 6016)                           | 3900 kg  |
| Tipping load, straight at full reach (ISO 14397-1)    | 2750 kg. |
| Tipping load, articulated at full reach (ISO 14397-1) | 2475 kg. |
| Total length, bucket on ground                        | 4780 mm  |
| Total width   | 1700 mm  |
| Turning radius at outside bucket edge                 | 3870 mm  |
| Wheelbase   | 1950 mm  |
| Total height (top of cab)                             | 2610 mm  |



## HYDRAULIC SYSTEM

|   |               |
|---|---------------|
| Pump capacity   | max. 41 l/min |
| Working pressure  | 250 bar       |
| Control unit: Proportional hydraulic valve with 3 control circuits and high-speed control for tilting. Simultaneous, independent control of all movements. Single, four-way control lever (multi-function lever) for tilt and lift cylinder with integrated travel direction selector switch and switch for additional control circuit. Float position in control circuit "Lowering", electro-hydraulically operated. Additional control circuit including quick couplers and continuous operation function provided as standard. |               |

## LOADER FRAME

|   |                     |
|---|---------------------|
| Loader installation featuring true parallel linkage and integrated mechanical (optionally hydraulic) quick-attach system. |                     |
| General-purpose bucket (ISO 7546)   | 0.65 m <sup>3</sup> |
| Lift capacity at ground level (ISO 14397-2)   | 33,000 N            |
| Breakout force at bucket edge (ISO 14397-2)   | 37,000 N            |

## FORK LIFT ATTACHMENT

|   |                 |
|---|-----------------|
| Operating load over the total lift and steering range   | 1550 (1650*) kg |
| Operating load in transport position, approx. 300 mm above ground level, total steering range | 1900* kg        |
| Width of fork carrier   | 1240 mm         |
| Length pallet forks (100x40 mm)   | 900 mm          |
| Stability factor  | 1.25            |

Operating load determined on level ground = 80 % of tipping load, articulated

## CAB

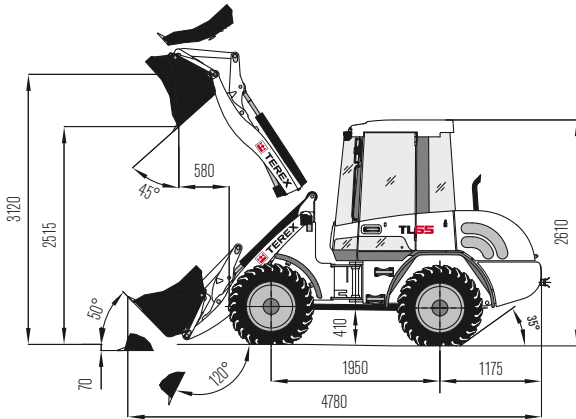
|  |  |
|--|--|
| Rubber-mounted full-vision steel cab, ROPS (EN ISO 3471) and FOPS** (EN ISO 3449) certified.   |  |
| Cab featuring two doors, electric windshield intermittent wipers and washer (front and rear), tinted panoramic safety glass, sliding window on left-hand side. |  |
| Driver's seat with hydraulic cushioning and lap belt, weight-adjustable, in compliance with ISO 7096 and ISO 6683.   |  |
| Cab heating with 3-speed heater fan (choice fresh air/recirculating air) and windshield defroster, front and rear.   |  |
| Air conditioning and radio pre-installation.   |  |
| Tilt and height adjustable steering wheel.   |  |
| 2 working floodlights, front.  |  |
| Sound level values in compliance with EC-directives.   |  |

\*With rear axle weights

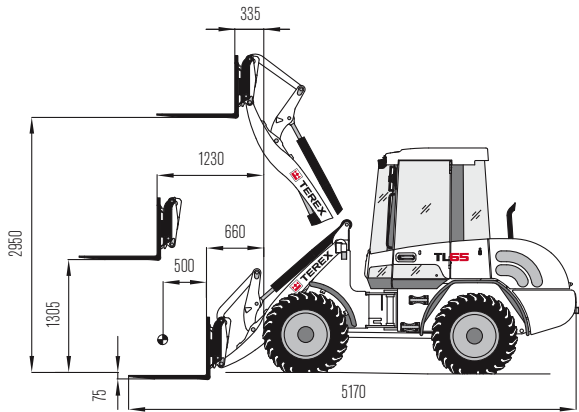
\*\*FOPS-approved only with skylight guard (optional)

## DIMENSIONS GENERAL-PURPOSE BUCKET

Capacity in compliance with ISO 7546: 0.65 m<sup>3</sup>  
Max. density of material: 1.8 t/m<sup>3</sup>



## FORK LIFT ATTACHMENT



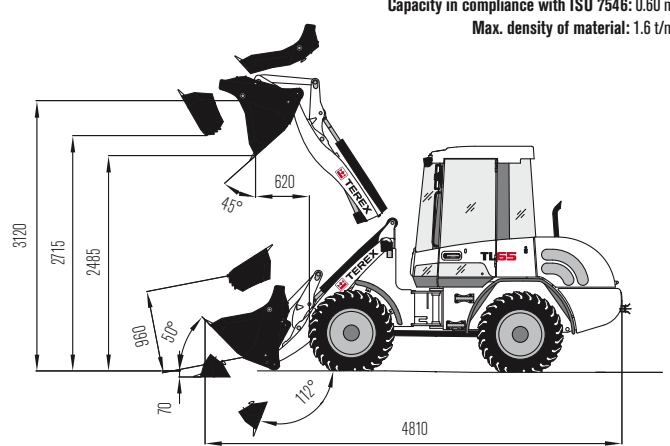
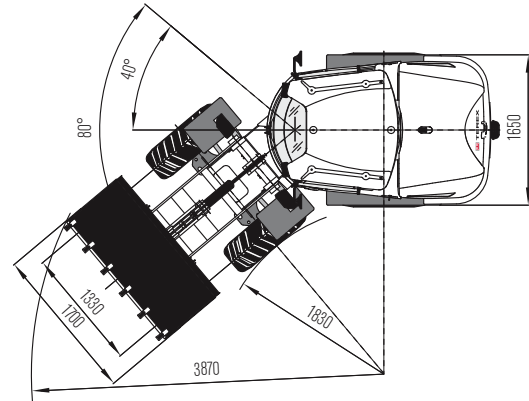
Operating load over total lift range: 1550 (1650\*) kg

Operating load in transport position: 1900\* kg

\*With rear axle weights

## MULTI-PURPOSE BUCKET

Capacity in compliance with ISO 7546: 0.60 m<sup>3</sup>  
Max. density of material: 1.6 t/m<sup>3</sup>



## BUCKET TYPE

|  | Capacity            | Density              | Width   | Dump height |
|--|---------------------|----------------------|---------|-------------|
| General-purpose bucket, quick-attach system (QAS), teeth | 0.65 m <sup>3</sup> | 1.8 t/m <sup>3</sup> | 1700 mm | 2515 mm     |
| General-purpose bucket, QAS, bolt-on cutting edge        | 0.65 m <sup>3</sup> | 1.8 t/m <sup>3</sup> | 1700 mm | 2480 mm     |
| Earth bucket, QAS, teeth                                 | 0.72 m <sup>3</sup> | 1.6 t/m <sup>3</sup> | 1700 mm | 2455 mm     |
| Earth bucket, QAS, bolt-on cutting edge                  | 0.72 m <sup>3</sup> | 1.6 t/m <sup>3</sup> | 1700 mm | 2420 mm     |
| Light-material bucket, bolt-on cutting edge              | 0.80 m <sup>3</sup> | 1.2 t/m <sup>3</sup> | 1700 mm | 2420 mm     |
| Light-material bucket, bolt-on cutting edge              | 1.00 m <sup>3</sup> | 0.8 t/m <sup>3</sup> | 1850 mm | 2380 mm     |
| Multi-purpose bucket, QAS                                | 0.60 m <sup>3</sup> | 1.6 t/m <sup>3</sup> | 1700 mm | 2485 mm     |
| Side-dump bucket, QAS, without teeth                     | 0.50 m <sup>3</sup> | 1.8 t/m <sup>3</sup> | 1750 mm | 2480 mm     |
| High-tip bucket, QAS, without teeth                      | 0.65 m <sup>3</sup> | 1.2 t/m <sup>3</sup> | 1850 mm | 3390 mm     |
| Quarry bucket, QAS                                       | 0.55 m <sup>3</sup> | 1.8 t/m <sup>3</sup> | 1850 mm | 2500 mm     |

## EXAMPLES OF MATERIAL DENSITIES

|  |                            |                                  |                            |
|--|----------------------------|----------------------------------|----------------------------|
| Granite, basalt, sand (damp), gravel (damp), slate:                  | 1.8 - 2.2 t/m <sup>3</sup> | Topsoil, clay, mineral coal:     | 1.1 - 1.6 t/m <sup>3</sup> |
| Sandstone, gypsum, limestone, soil (damp), sand (dry), gravel (dry): | 1.5 - 1.8 t/m <sup>3</sup> | Wood chips (dry), compost, coke: | 0.2 - 1.0 t/m <sup>3</sup> |

## OPTIONAL EQUIPMENT

### TIRES

340/80 R 18 XCML Michelin

365/70 R 18 MPT 70 E Conti

365/70 R 18 EM 01 Mitas

Non-standard tires available on request

### FRONT ATTACHMENTS

|   |                     |
|---|---------------------|
| General-purpose bucket*                               | 0.65 m <sup>3</sup> |
| Earth bucket*   | 0.72 m <sup>3</sup> |
| Light-material bucket*                                | 0.80 m <sup>3</sup> |
| Light-material bucket*                                | 1.00 m <sup>3</sup> |
| High-tip bucket*                                      | 0.65 m <sup>3</sup> |
| Side-dump bucket                                      | 0.50 m <sup>3</sup> |
| Multi-purpose bucket*                                 | 0.60 m <sup>3</sup> |
| Quarry bucket   | 0.55 m <sup>3</sup> |
| Front ripper with 3 prongs                            |                     |
| Fork carrier, 1240 mm wide, ISO 2328, class 2, form B |                     |
| Forks, 900 mm long, cross section 100x40 mm           |                     |
| Forks, 1120 mm long, cross section 100x45 mm          |                     |
| Load hook, attachable on fork arms                    |                     |
| Load hook integrated in quick-attach system           |                     |
| Crane jib with rigid arm                              |                     |
| Crane jib, telescopic (mechanical)                    |                     |
| Sweeper, snow blade                                   |                     |

\*optionally with bolt-on cutting edge

### DRIVER'S STAND

Air-cushioned driver's comfort seat with orthopedic lumbar support and adjustable armrests and headrest

### ENGINE

Diesel exhaust cleaner Catalyst

### HYDRAULIC SYSTEM

Open return 4th control circuit, proportional  
Hydraulic outlet for front hand-held hammer 4th control circuit, electrical

### CAB

FOPS-skylight guard Pressurized cab  
Right-hand door with sliding window Independent diesel heating with timer  
Working floodlight, rear Air conditioning  
Yellow beacon Height- and tilt-adjustable steering wheel

### OTHER OPTIONAL EQUIPMENT

High-speed version 36 kph Anti-theft device (immobilizer)  
Filling with biodegradable hydraulic oil, ester-based, BIO-E-HYD-HEES Special creep versions available on request  
Electrical tank refilling pump Rear axle weights  
Pilot-controlled hose-rupture valves for lift and tilt cylinders Quick couplers (flat face) for 3rd control circuit on lift frame  
Back-up alarm for reverse travel Ride control system  
Central lubrication system Battery disconnecter  
Manual throttle, transmission deactivated  
Further optional equipment available on request

## [www.terex.com/construction](http://www.terex.com/construction)

Effective Date: February 2011. Product specifications and prices are subject to change without notice or obligation. The photographs and/or drawings in this document are for illustrative purposes only. Refer to the appropriate Operator's Manual for instructions on the proper use of this equipment. Failure to follow the appropriate Operator's Manual when using our equipment or to otherwise act irresponsibly may result in serious injury or death. The only warranty applicable to our equipment is the standard written warranty applicable to the particular product. Terex makes no other warranty, express or implied. Products and services listed may be trademarks, service marks or trade-names of Terex Corporation and/or its subsidiaries in the USA and other countries. All rights are reserved. "Terex" is a registered trademark of Terex Corporation in the USA and many other countries.  
Copyright © 2013 Terex Corporation (R3\_241013)

Ref. no.: TEREX566EN

Terex Compact Germany GmbH  
Kraftwerkstrasse 4  
D-74564 Crailsheim  
Tel: +49 (0)7951 / 9357-0 Fax: +49 (0)7951 / 9357-671  
construction@terex.com www.terex.com



# TEREX®

## WORKS FOR YOU.™